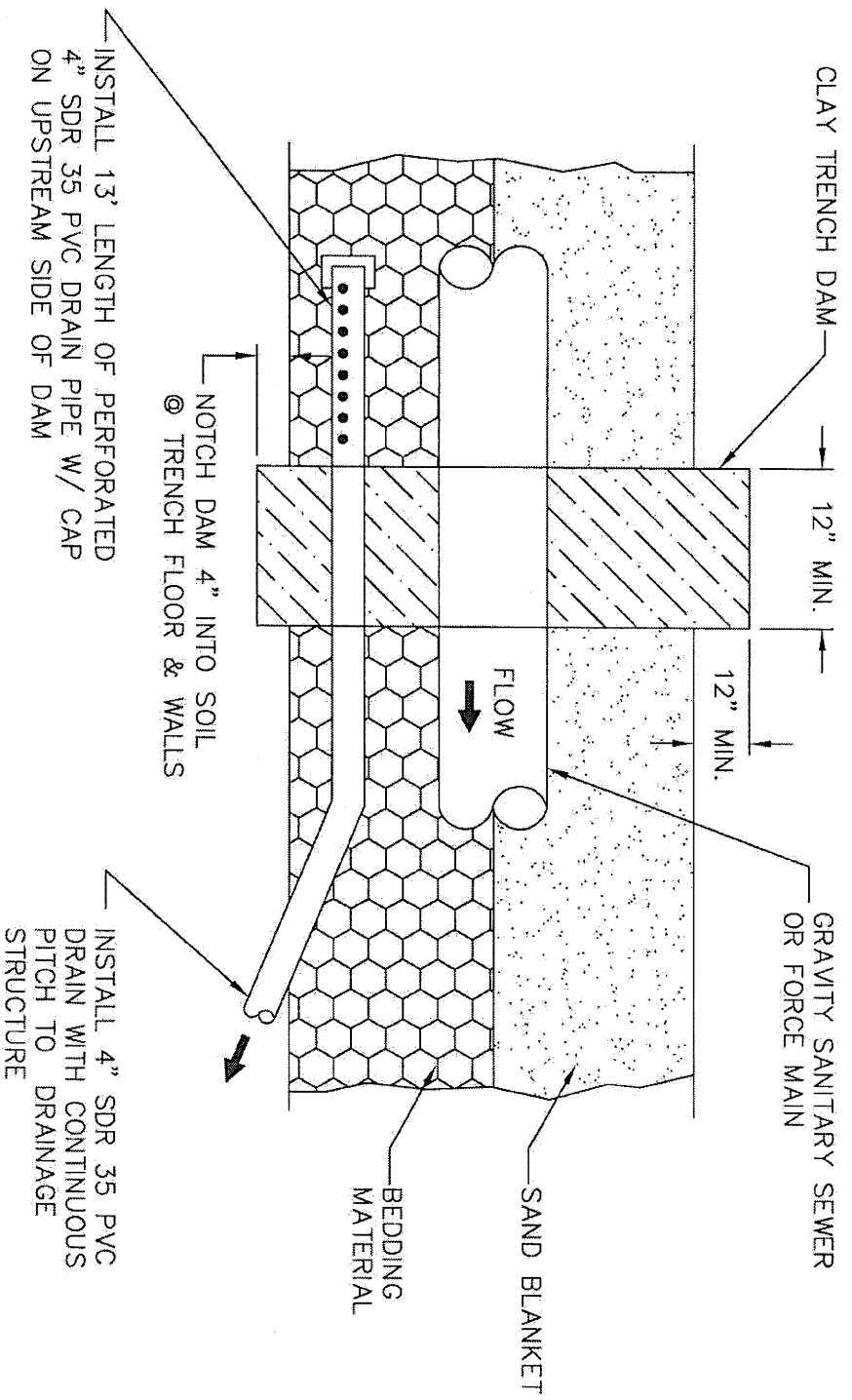


TOWN OF HOOKSETT, NEW HAMPSHIRE  
 SEWER CONSTRUCTION STANDARDS  
**SEWER TRENCH**

GRAVES ENGINEERING, INC., 100 GROVE STREET, WORCESTER, MA 01605  
 TEL (508) 856-0321 - FAX (508) 856-0357



DATE: FEB., 2010  
 SCALE: NTS  
 FIGURE: 1



INSTALL 13' LENGTH OF PERFORATED 4" SDR 35 PVC DRAIN PIPE W/ CAP ON UPSTREAM SIDE OF DAM

NOTCH DAM 4" INTO SOIL @ TRENCH FLOOR & WALLS

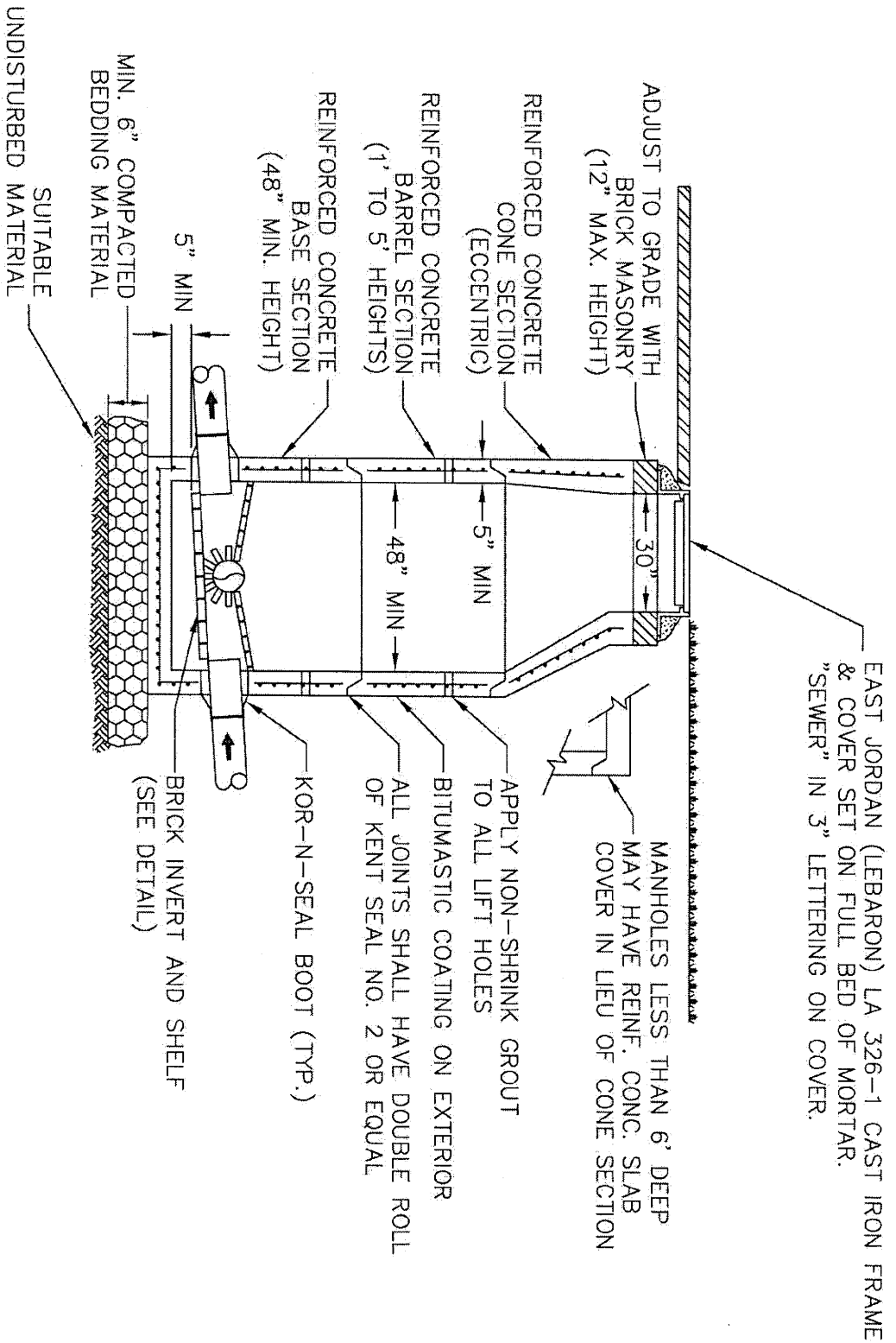
INSTALL 4" SDR 35 PVC DRAIN WITH CONTINUOUS PITCH TO DRAINAGE STRUCTURE

TOWN OF HOOKSETT, NEW HAMPSHIRE  
SEWER CONSTRUCTION STANDARDS  
**TRENCH DAM**

GRAVES ENGINEERING, INC., 100 GROVE STREET, WORCESTER, MA 01605  
TEL. (508) 856-0321 - FAX (508) 856-0357



DATE: FEB, 2010  
SCALE: NTS  
FIGURE: 2



NOTE: MANHOLE STRUCTURE, FRAME AND  
 GRATE TO BE CAPABLE OF WITHSTANDING  
 AASHTO H-20/HS-20 LOADING WITHOUT FAILURE.

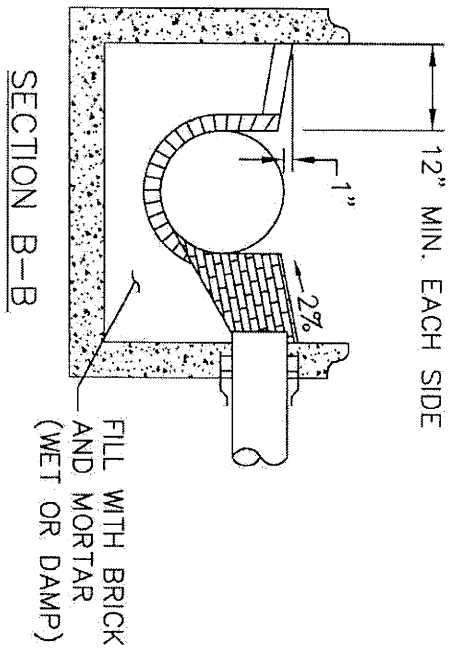
TOWN OF HOOKSETT, NEW HAMPSHIRE  
 SEWER CONSTRUCTION STANDARDS  
**STANDARD SEWER  
 MANHOLE**

GRAVES ENGINEERING, INC., 100 GROVE STREET, WORCESTER, MA 01605  
 TEL. (508) 856-0321 - FAX (508) 856-0357

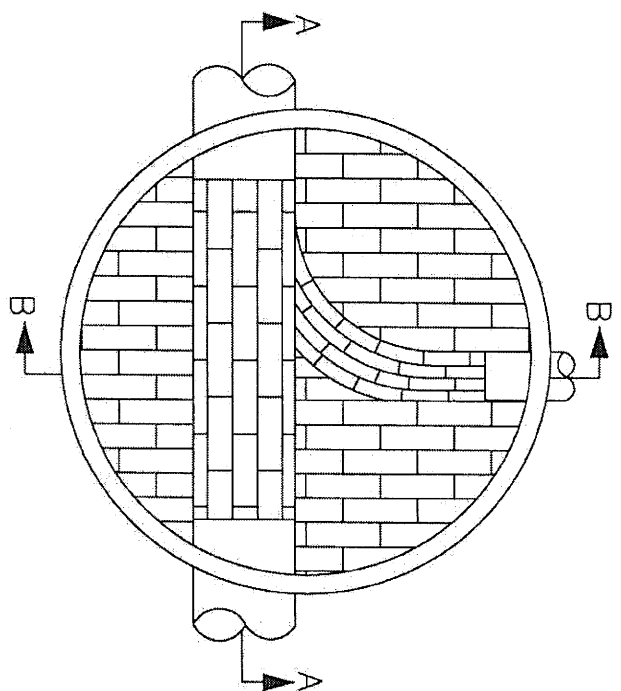
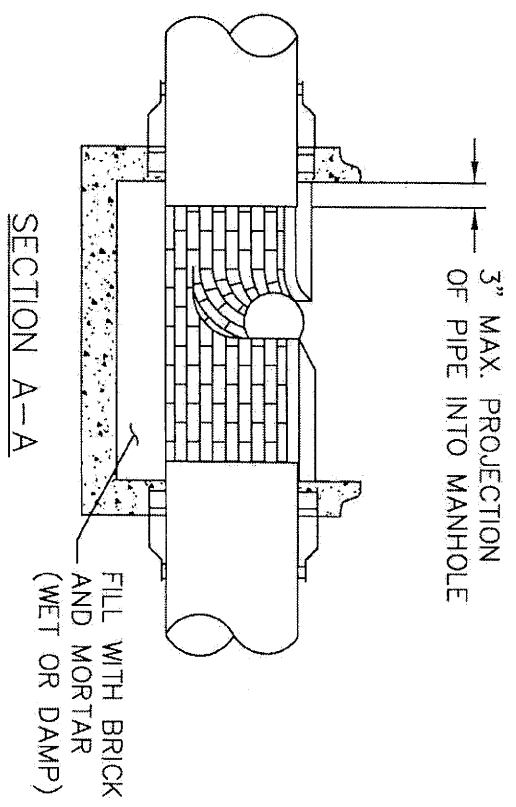


DATE: FEB., 2010  
 SCALE: NTS  
 FIGURE: 3





NOTE: TOP OF SHELF SHALL BE 1" ABOVE CROWN OF HIGHEST PIPE.



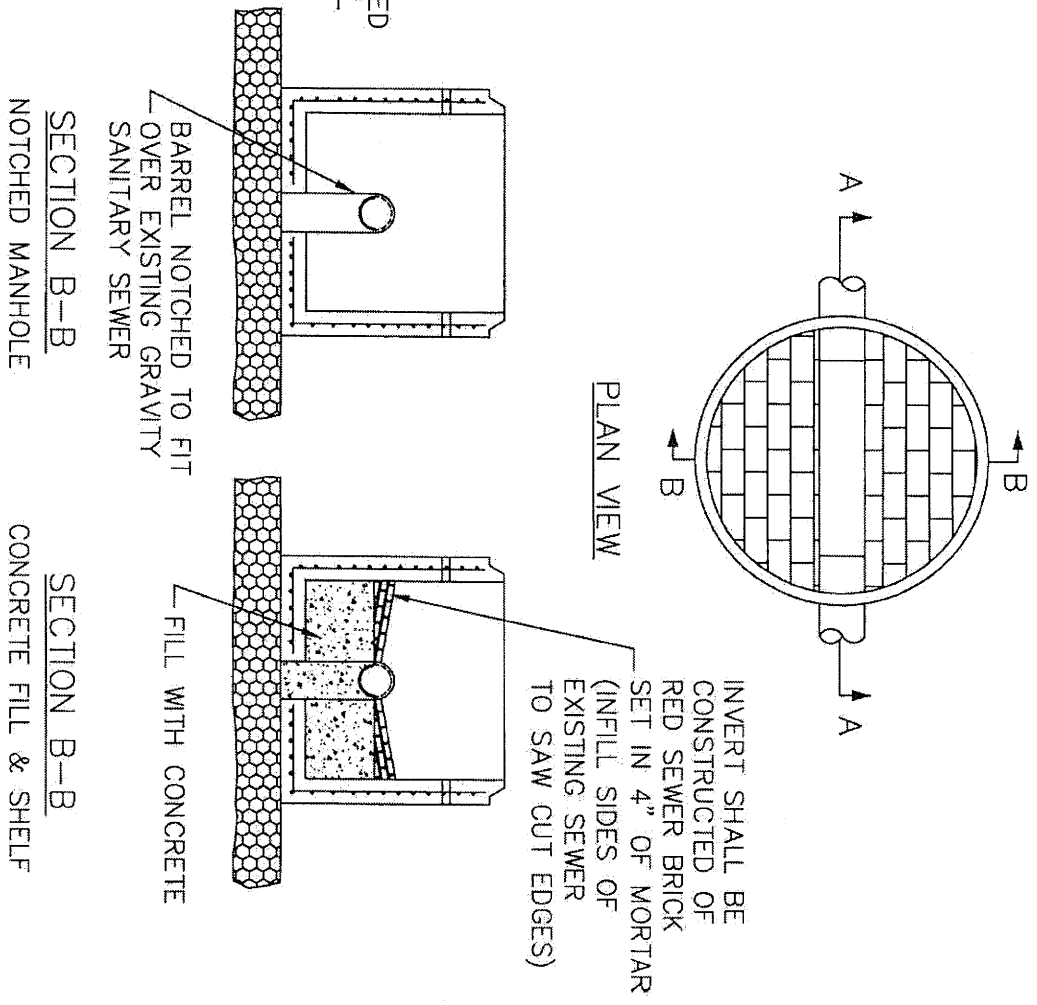
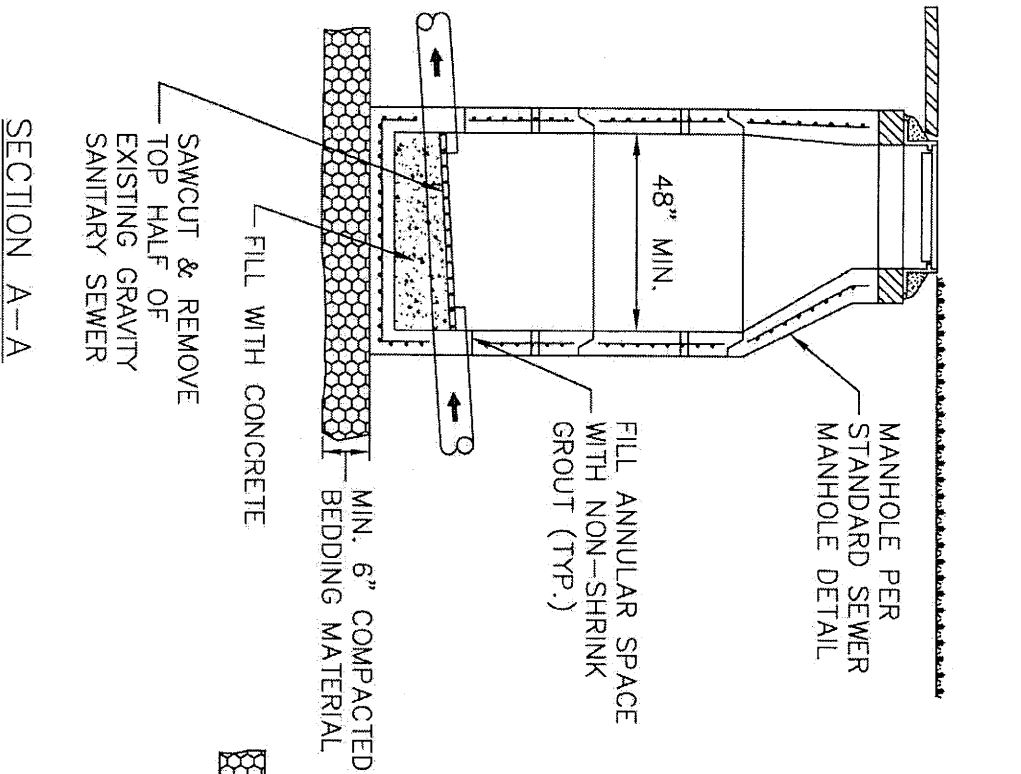
NOTE: CARE SHALL BE TAKEN TO ENSURE THAT THE BRICK INVERT IS A SMOOTH CONTINUATION OF THE SEWER INVERT. INVERT BRICKS SHALL BE LAID ON EDGE.

TOWN OF HOOKSETT, NEW HAMPSHIRE  
SEWER CONSTRUCTION STANDARDS  
**BRICK INVERT AND SHELF**

GRAVES ENGINEERING, INC., 100 GROVE STREET, WORCESTER, MA 01605  
TEL. (508) 856-0321 - FAX (508) 856-0357



DATE: FEB., 2010  
SCALE: NTS  
FIGURE: 5



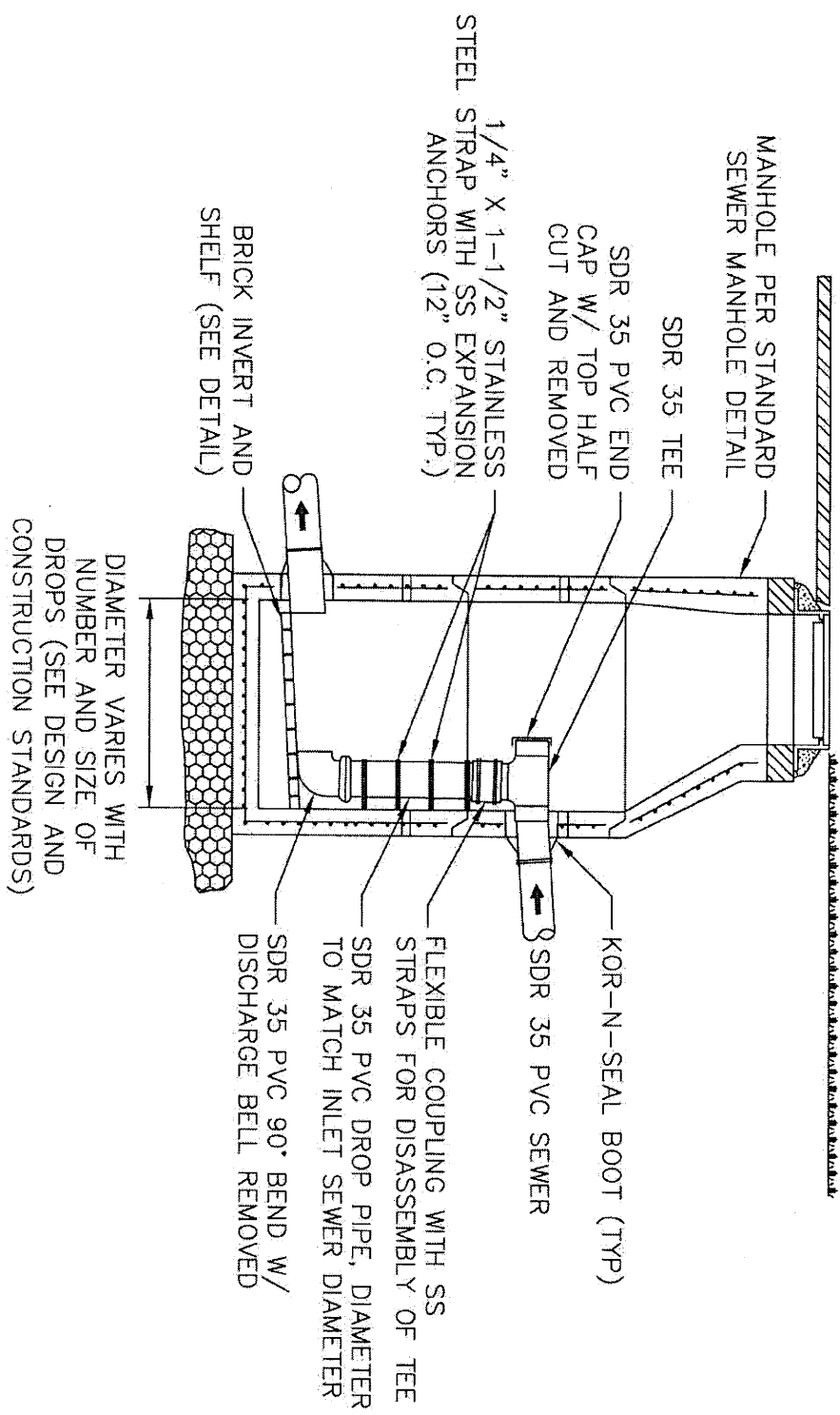
NOTE: SEE STANDARD SEWER MANHOLE DETAIL FOR OTHER REQUIREMENTS.  
 NEW SANITARY CONNECTION AND SHELF NOT SHOWN FOR CLARITY.

TOWN OF HOOKSETT, NEW HAMPSHIRE  
 SEWER CONSTRUCTION STANDARDS  
**DOGHOUSE SEWER  
 MANHOLE**

GRAYES ENGINEERING, INC., 100 GROVE STREET, WORCESTER, MA 01605  
 TEL. (508) 856-0321 - FAX (508) 856-0357



DATE: FEB., 2010  
 SCALE: NTS  
 FIGURE: 6



NOTE: SEE STANDARD SEWER MANHOLE DETAIL FOR OTHER REQUIREMENTS.

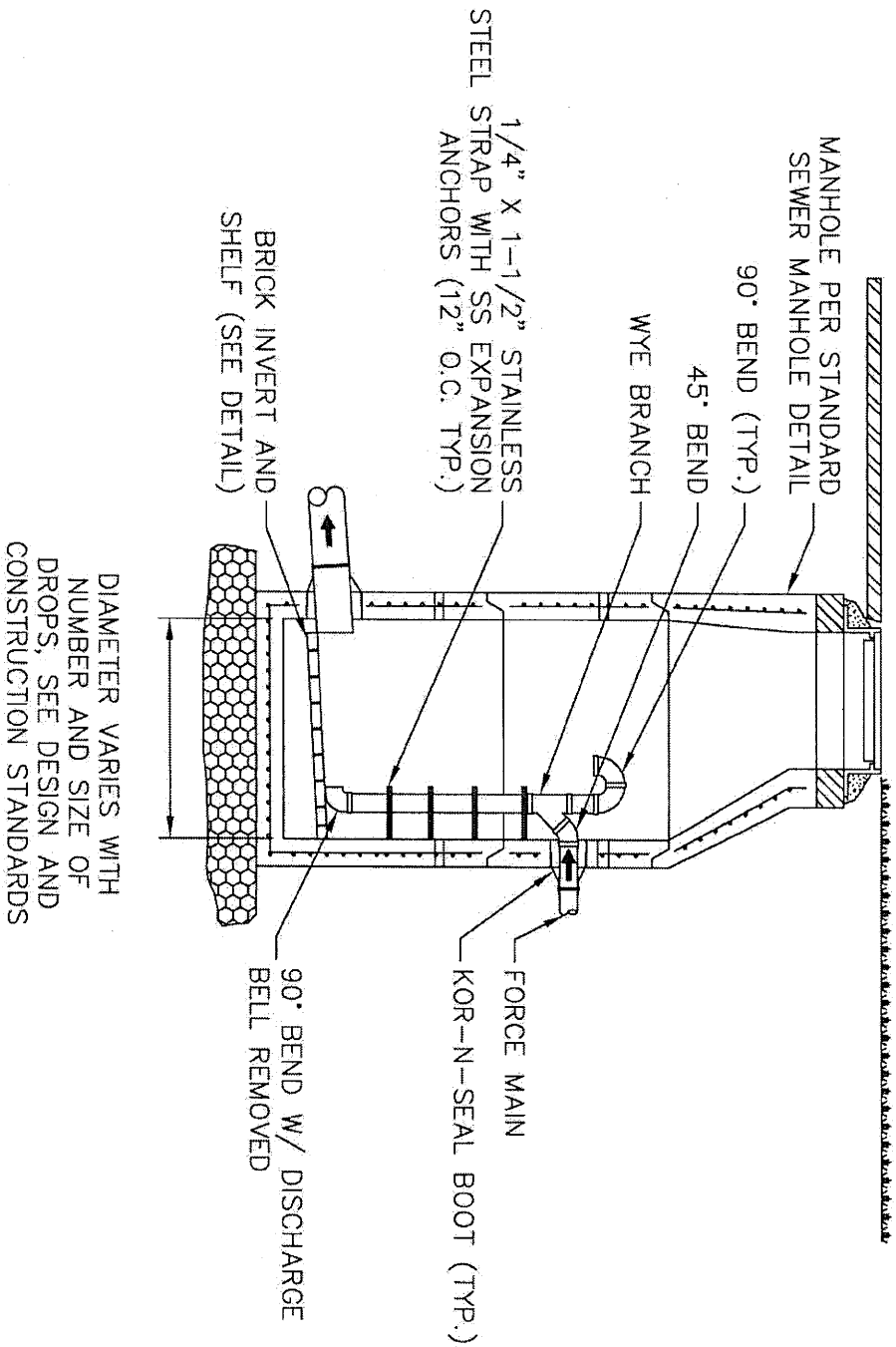
OTHER POTENTIAL PENETRATIONS NOT SHOWN FOR CLARITY.

TOWN OF HOOKSETT, NEW HAMPSHIRE  
SEWER CONSTRUCTION STANDARDS  
**INTERNAL DROP  
MANHOLE**

GRAVES ENGINEERING, INC., 100 GROVE STREET, WORCESTER, MA 01505  
TEL (508) 856-0321 - FAX (508) 856-0357



DATE: FEB, 2010  
SCALE: NTS  
FIGURE: 7



NOTE: SEE STANDARD SEWER MANHOLE DETAIL FOR OTHER REQUIREMENTS.

OTHER POTENTIAL PENETRATIONS NOT SHOWN FOR CLARITY.

TOWN OF HOOKSETT, NEW HAMPSHIRE  
SEWER CONSTRUCTION STANDARDS  
**FORCE MAIN  
INTERNAL DROP**

GRAVES ENGINEERING, INC., 100 GROVE STREET, WORCESTER, MA 01605  
TEL. (508) 856-0321 - FAX (508) 856-0357



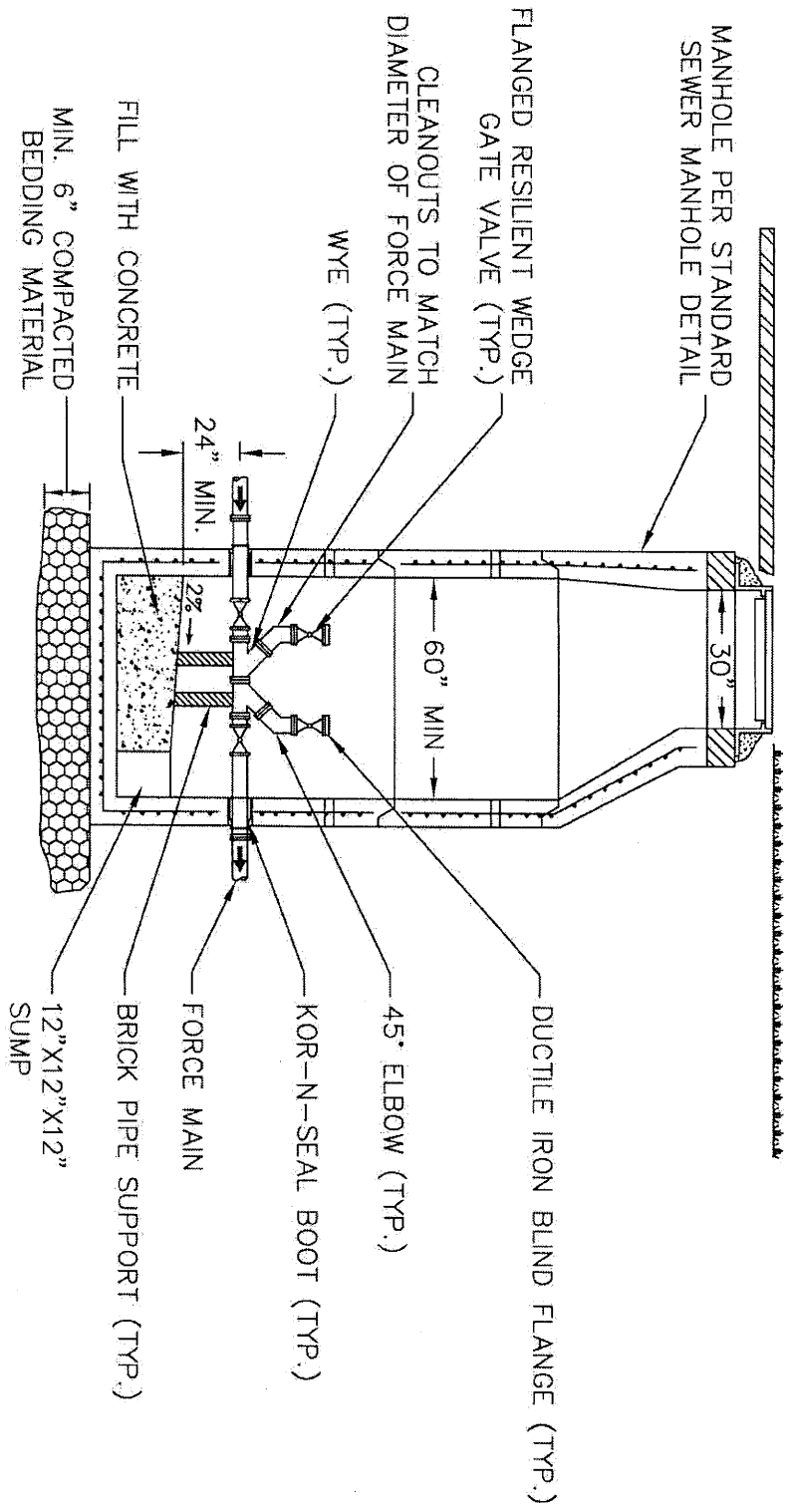
DATE: FEB., 2010

SCALE: NTS

FIGURE: 8







NOTES: SET WYES AT SLIGHTLY OPPOSING ANGLES FOR EASE OF ACCESS.

IF SEWER FORCE MAIN IS CONSTRUCTED OF SDR 21 OR 26 PVC, PIPING INSIDE MANHOLE SHALL BE SCH 80 SOLVENT WELDED PVC WITH FLANGES. IF FORCE MAIN IS CONSTRUCTED OF DUCTILE IRON, PIPING INSIDE MANHOLE SHALL BE FLANGED DUCTILE IRON.

SEE STANDARD SEWER MANHOLE DETAIL FOR OTHER REQUIREMENTS.

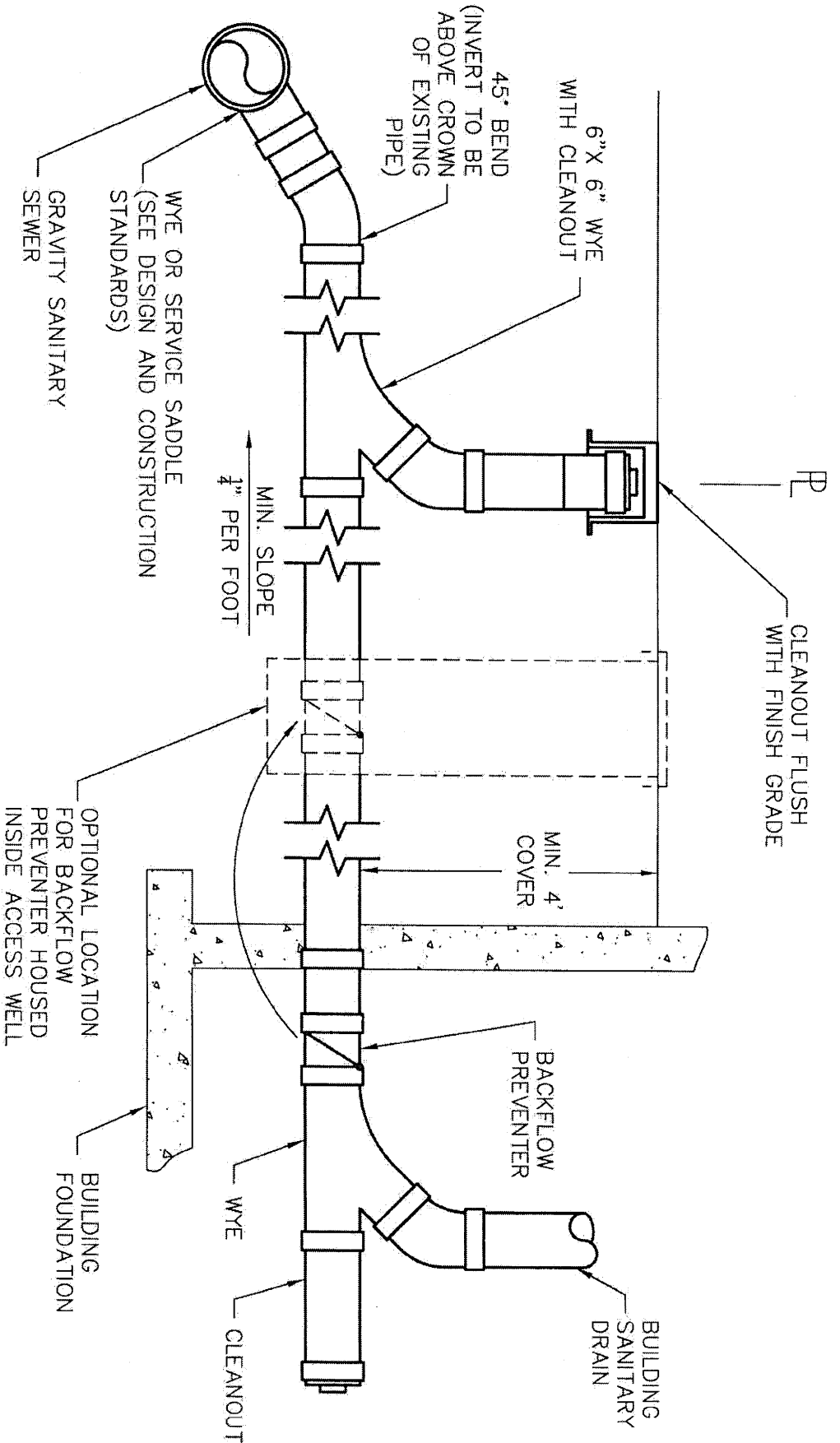
# CLEANOUT MANHOLE

TOWN OF HOOKSETT, NEW HAMPSHIRE  
SEWER CONSTRUCTION STANDARDS



GRAVES ENGINEERING, INC., 100 GROVE STREET, WORCESTER, MA 01605  
TEL. (508) 856-0321 - FAX (508) 856-0357

DATE: FEB., 2010  
SCALE: NTS  
FIGURE: 10



NOTE: SEWER SERVICE SHALL BE 6" DIA. FROM MAIN TO PROPERTY LINE AND EITHER 4" OR 6" DIA. FROM PROPERTY LINE TO BUILDING.

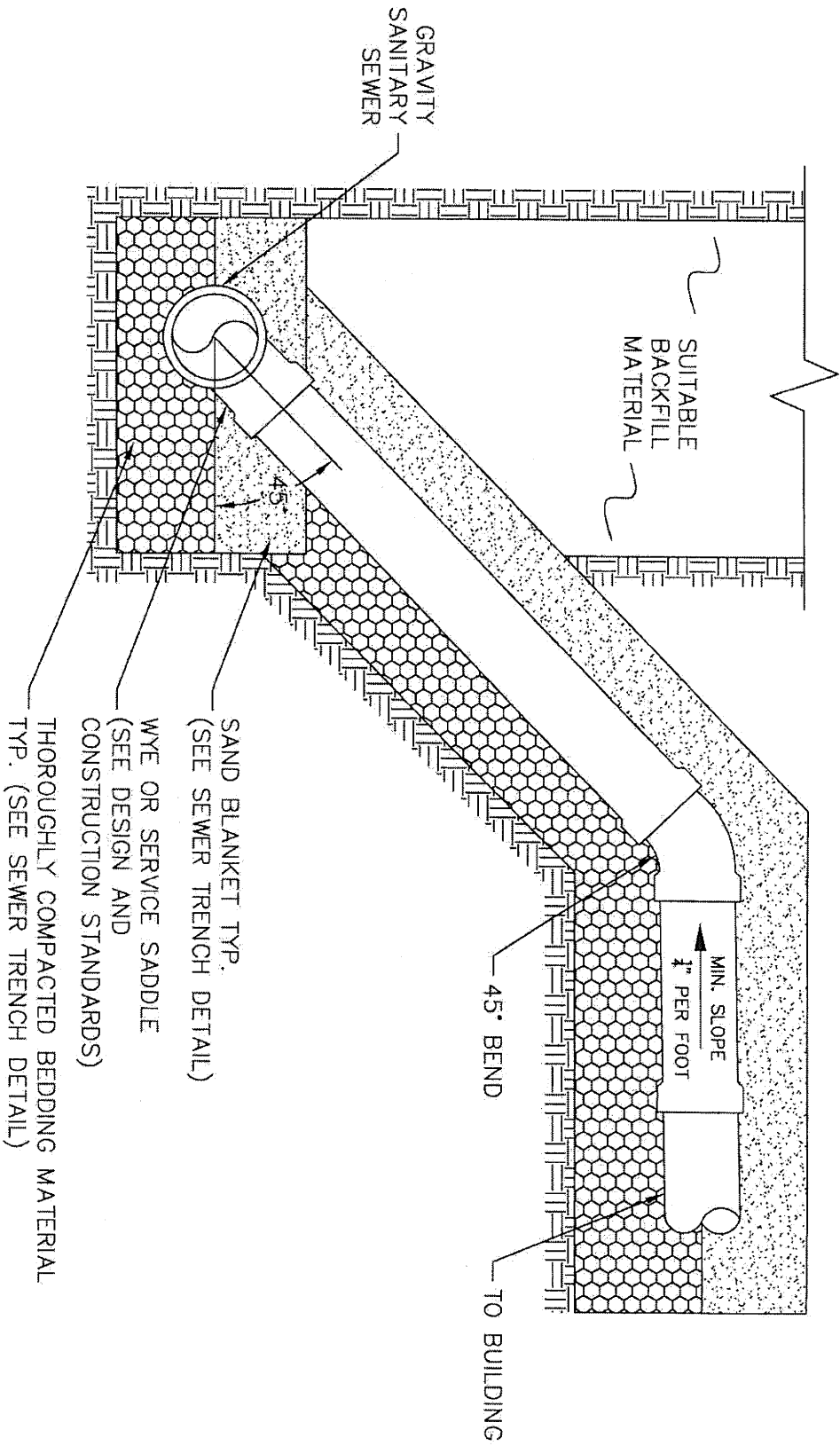
TOWN OF HOOKSETT, NEW HAMPSHIRE  
SEWER CONSTRUCTION STANDARDS

# TYPICAL SEWER SERVICE


GRAVES ENGINEERING, INC., 100 GROVE STREET, WORCESTER, MA 01605  
TEL. (508) 856-0321 - FAX (508) 856-0357

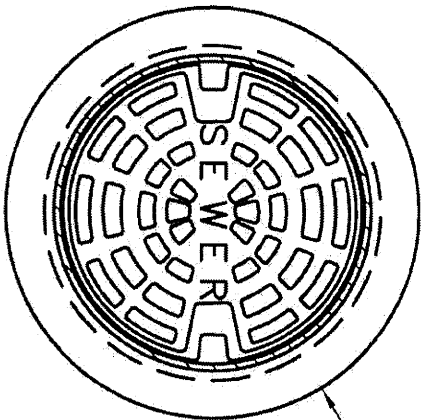


DATE: FEB, 2010  
SCALE: NTS  
FIGURE: 11

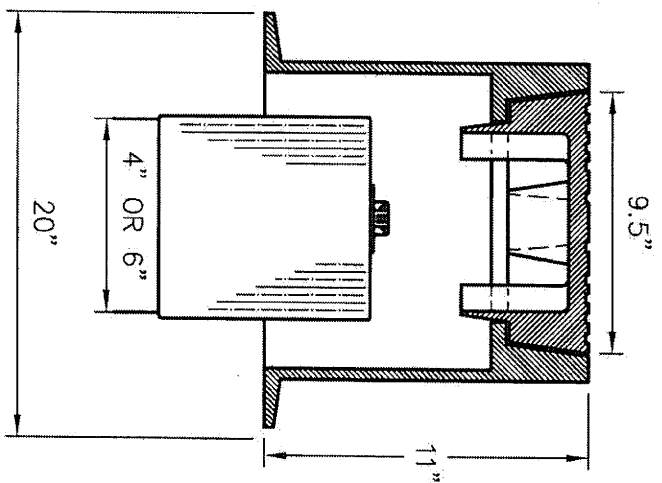


NOTES: SEWER SERVICE RISER SHALL BE INSTALLED WHERE DEPTH OF SEWER IS GREATER THAN 12' BELOW GRADE.

<p>TOWN OF HOOKSETT, NEW HAMPSHIRE SEWER CONSTRUCTION STANDARDS</p> <h2 style="text-align: center;">SEWER SERVICE RISER</h2>		
<p>GRAVES ENGINEERING, INC., 100 GROVE STREET, WORCESTER, MA 01605 TEL. (508) 856-0321 - FAX (508) 856-0357</p>	<p>DATE: FEB, 2010 SCALE: NTS FIGURE: 12</p>	



"SEWER" OR "S"  
CAST INTO COVER



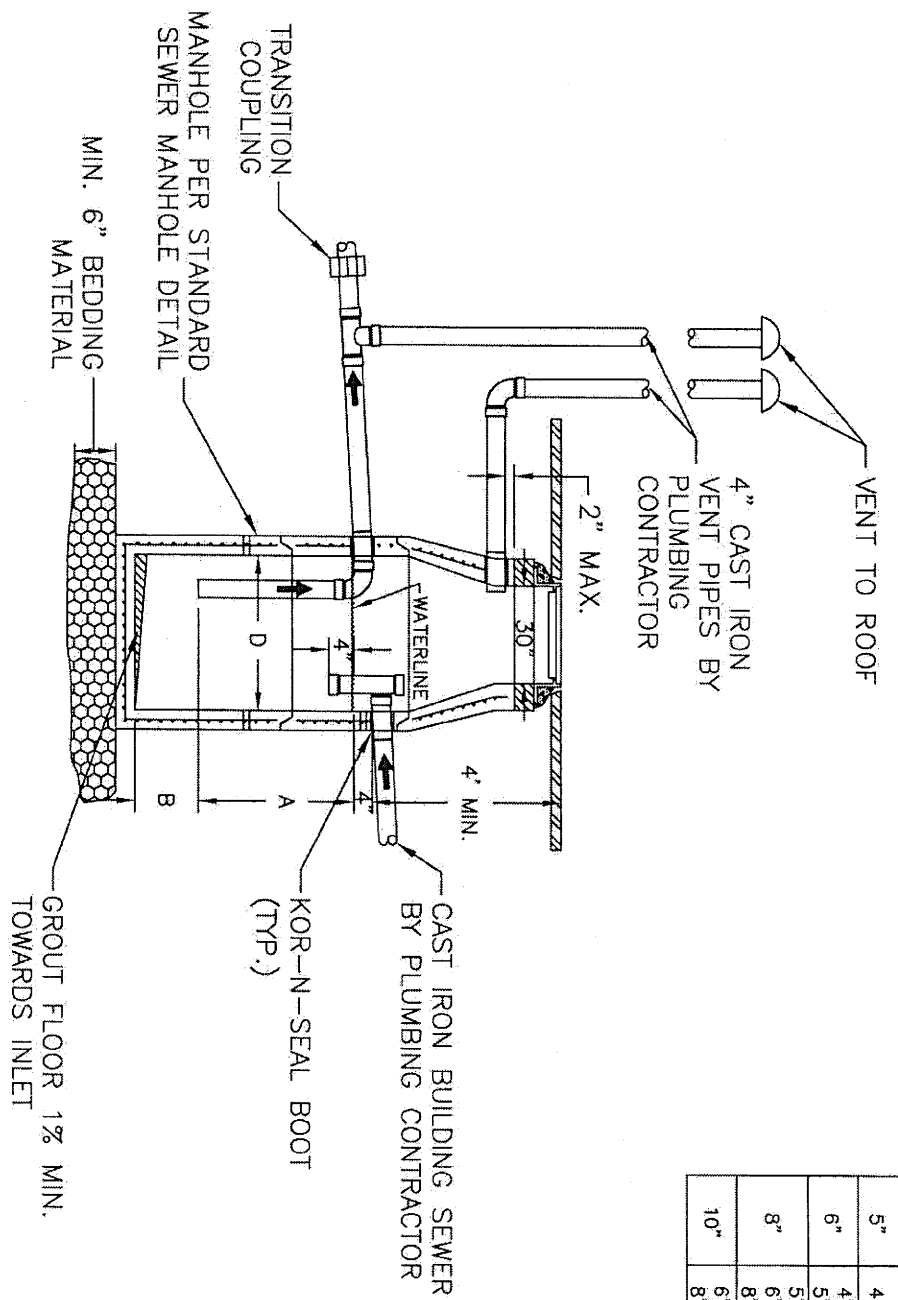
NOTE: CLEANOUT INSPECTION  
FRAME SHALL BE NEENAH FOUNDRY  
R-1975 OR APPROVED EQUAL.

TOWN OF HOOKSETT, NEW HAMPSHIRE  
SEWER CONSTRUCTION STANDARDS  
**SEWER CLEANOUT  
FRAME AND COVER**

GRAVES ENGINEERING, INC., 100 GROVE STREET, WORCESTER, MA 01605  
TEL (508) 858-0321 - FAX (508) 856-0357



DATE: FEB, 2010  
SCALE: NTS  
FIGURE: 13



INLET	D	A	B
4"	4'-0"	3'-0"	2'-6"
5"	4'-0"	3'-6"	3'-0"
6"	4'-0"	5'-0"	4'-6"
8"	5'-0"	3'-6"	3'-0"
10"	5'-0"	6'-0"	5'-0"

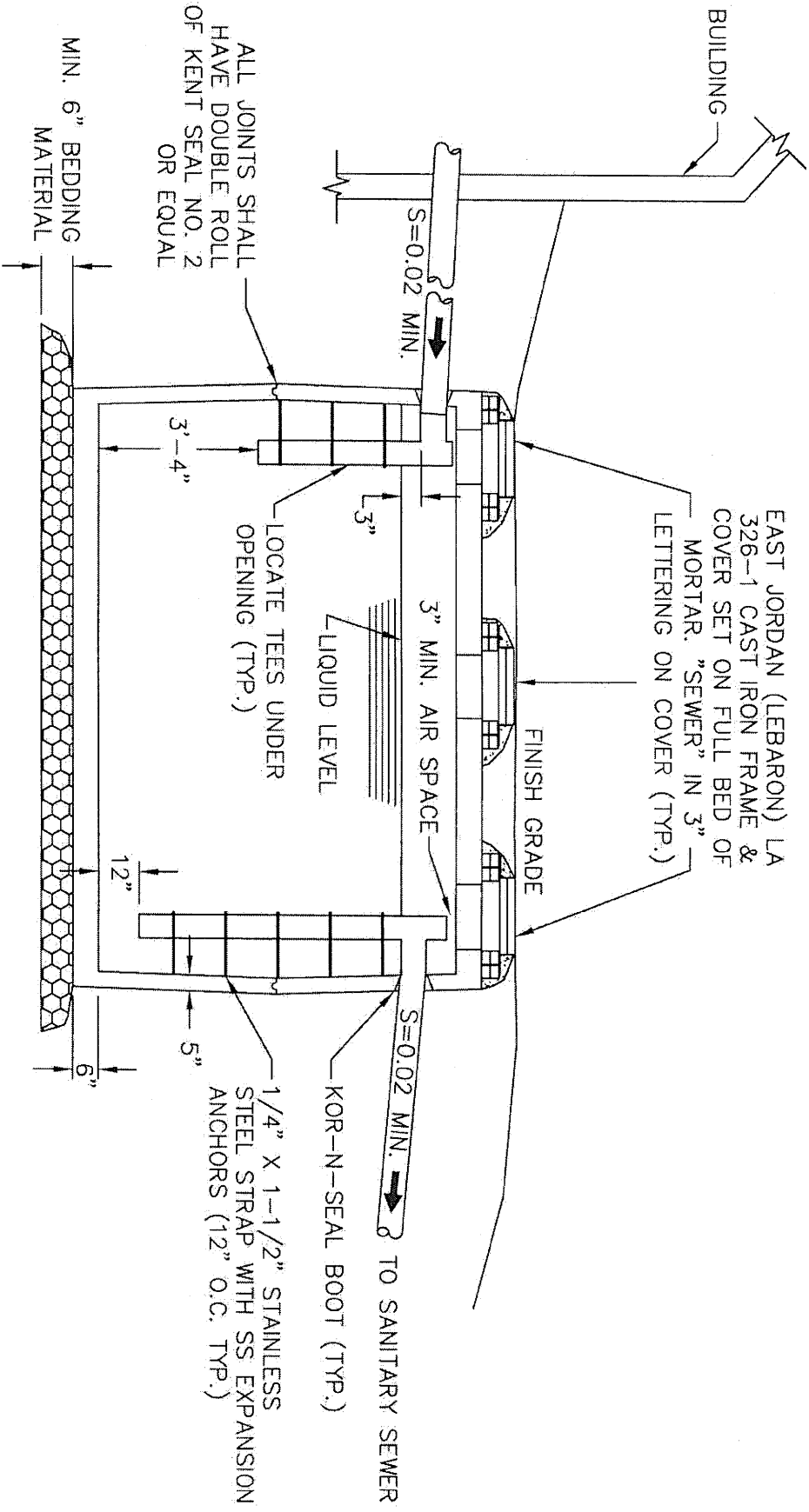
NOTES:  
 ALL PIPING, INCLUDING VENTS FROM BUILDING TO TRANSITION COUPLING, SHALL BE CAST IRON INSTALLED BY PLUMBING CONTRACTOR.

TOWN OF HOOKSETT, NEW HAMPSHIRE  
 SEWER CONSTRUCTION STANDARDS  
**OIL/WATER/GRIT  
 SEPARATOR**

GRAVES ENGINEERING, INC., 100 GROVE STREET, WORCESTER, MA 01605  
 TEL. (508) 856-0321 - FAX (508) 856-0357



DATE: FEB, 2010  
 SCALE: NTS  
 FIGURE: 14



NOTES:  
 STRUCTURE SHALL BE PRE-CAST CONCRETE CAPABLE OF WITHSTANDING AASHTO H-20/HS-20 LOADING WITHOUT FAILURE.

NON-SHRINK GROUT SHALL BE APPLIED TO ALL LIFT HOLES.

ALL PIPING TO BE SDR 35 PVC

# GREASE TRAP

TOWN OF HOOKSETT, NEW HAMPSHIRE  
 SEWER CONSTRUCTION STANDARDS



GRAVES ENGINEERING, INC. 100 GROVE STREET, WORCESTER, MA 01605  
 TEL. (508) 858-0321 - FAX (508) 858-0357

DATE: FEB. 2010  
 SCALE: NTS  
 FIGURE: 15